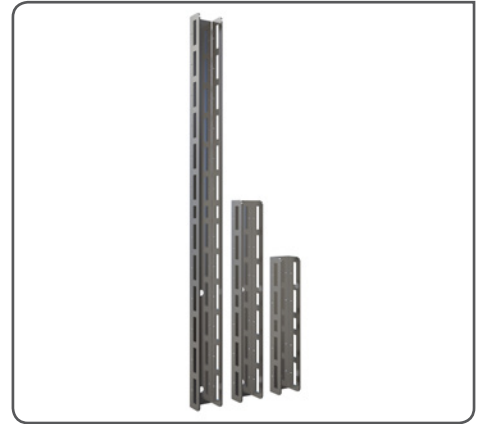


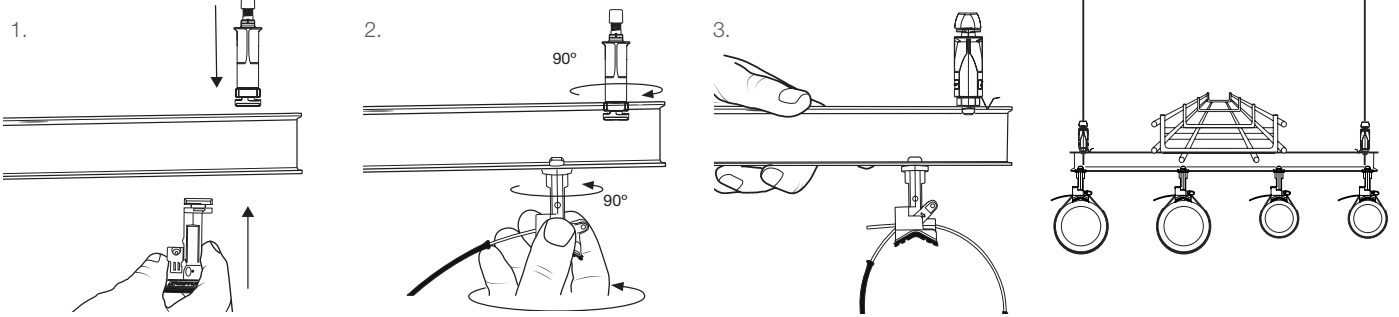
Universal Brackets are designed for quick and easy support of electrical containment, pipework and other mechanical services.

## FEATURES / BENEFITS

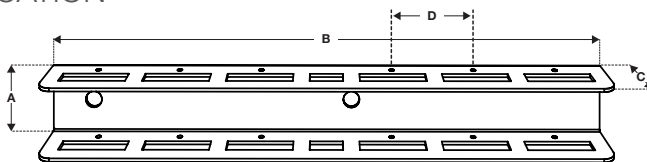
- Perfect for multi service installs e.g. electrical containment or ductwork on top face, pipework on bottom face
- Pre-cut - eliminates the need for cutting channel on site
- Ideal for use with QT clamps for fast suspension of pipework
- Ideal for use with UniGrip QT for the fastest bracket suspension on the market
- Versatile - Can be bolted directly to soffit or wall, or suspended from the soffit using threaded rod or Gripple wire suspension kits e.g. UniGrip QT
- Saves labour time - Eliminates the need for cutting channel on site, allowing more productive use of labour
- Improves health and safety - No tools or "Hot Works" required for installation



## INSTALLATION



## SPECIFICATION



	A (mm)	B (mm)	C (mm)	D (mm)	Max Single Point Load P	Max Uniform Load (UDL)	Max Uniform Load (UDL) with additional central suspension
PB240	43	240	35	50	75 kg	150 kg	-
PB340	43	340	35	50	75 kg	150 kg	-
PB440	43	440	35	50	75 kg	150 kg	-
PB540	43	540	35	50	75 kg	150 kg	-
PB640	43	640	35	50	75 kg	150 kg	-
PB740	43	740	35	50	75 kg	150 kg	-
PB840	43	840	35	50	75 kg	150 kg	-
PB940	43	940	35	50	75 kg	150 kg	-
PB1040	43	1040	35	50	75 kg	120 kg	150 kg
PB1140	43	1140	35	50	75 kg	120 kg	150 kg
PB1240	43	1240	35	50	75 kg	120 kg	150 kg
PB1340	43	1340	35	50	75 kg	120 kg	150 kg
PB1440	43	1440	35	50	75 kg	120 kg	150 kg
PB1540	43	1540	35	50	75 kg	120 kg	150 kg



## RELATED PRODUCTS



UniGrip QT



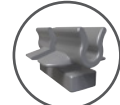
Beam Clamp



Wall Bracket



QT Barrel End Fixing



Cable Basket Clip



Cable Tray Clip

For more information on suspension methods contact us or visit [www.gripple.com](http://www.gripple.com)

## SUBMITTAL INFORMATION

### Load Rating:

See table in specification

### Material:

BS EN 10346:2009 DX51D (Mild Steel)

### Approvals:

Lloyds certified  
Load tested by Element  
Fire tested by Exova - contact Technical Services for load rating.  
TUV tested  
APAVE tested