

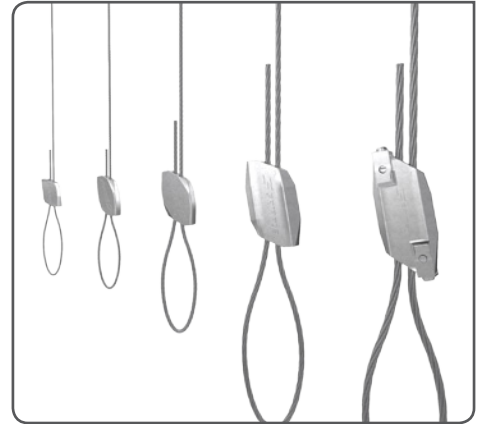
# Standard Hanger Range



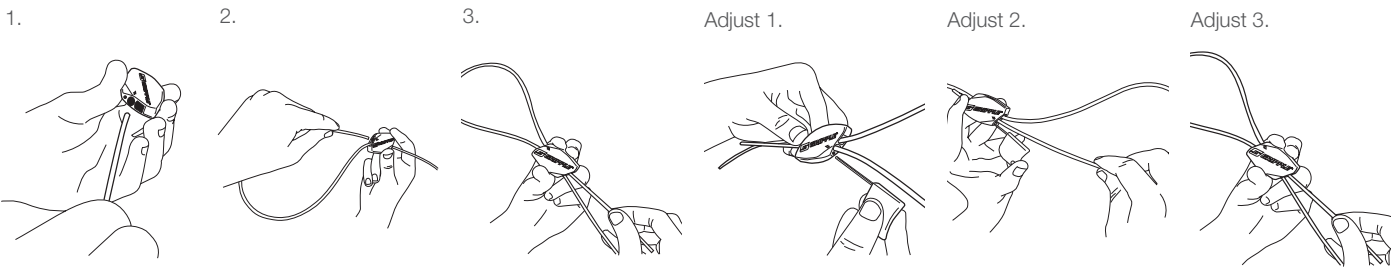
Used to suspend a variety of HVAC, mechanical and electrical services from different substrates.

## FEATURES / BENEFITS

- Ideal for fast suspension of cable containment, pipework, air conditioning
- Up to six times faster to install than traditional hanging systems
- Versatile and simple to use
- Strong, safe and industry approved
- Aesthetically discreet and lightweight
- Supplied in ready-to-use kits, comprising a length of wire, pre-crimped End Fixing, Gripple Hanger and Setting Key

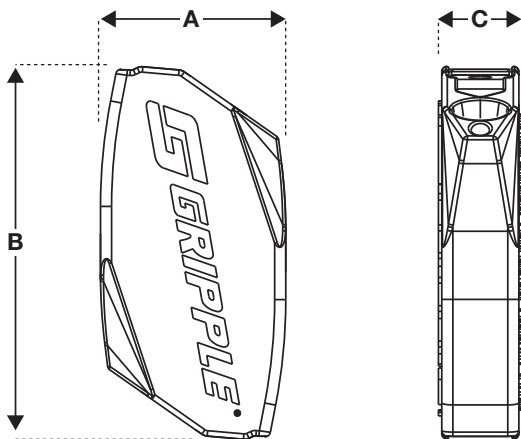


## INSTALLATION & ADJUSTMENT



Ensure a minimum 75 mm of tail wire exits the hanger.

## SPECIFICATION



Dimension	No.1 (mm)	No.2 (mm)	No.3 (mm)	No.4 (mm)	No.5 (mm)
A	16	18	26	37	43
B	24	34	43	62	106
C	6	8	8	11	13

## AVAILABLE END FIXINGS



For more options on available end fixings please contact us or visit [www.gripple.com](http://www.gripple.com)

## SUBMITTAL INFORMATION

### Safe Working Load:

No.1 - 10 kg      No.4 - 225 kg  
 No.2 - 45 kg      No.5 - 325 kg  
 No.3 - 90 kg  
 All with a 5:1 safety factor

### Material:

**Housing** - Type ZA2 Zinc  
**Wedge** - Sintered steel hardened to min. 56 Rockwell C  
**Spring** - Stainless Steel (Type 302)  
**End Cap** - UV stabilised homopolymer propylene

PI-STDHANGER-ENG

[www.gripple.com](http://www.gripple.com)

Gripple's policy is one of continuous development and innovation. We therefore reserve the right to alter specifications, etc. without notice.



Gripple Ltd | The Old West Gun Works | Savile Street East | Sheffield S4 7UQ  
 Tel 0800 018 4264 Fax 0114 275 1155 email [info@gripple.com](mailto:info@gripple.com)